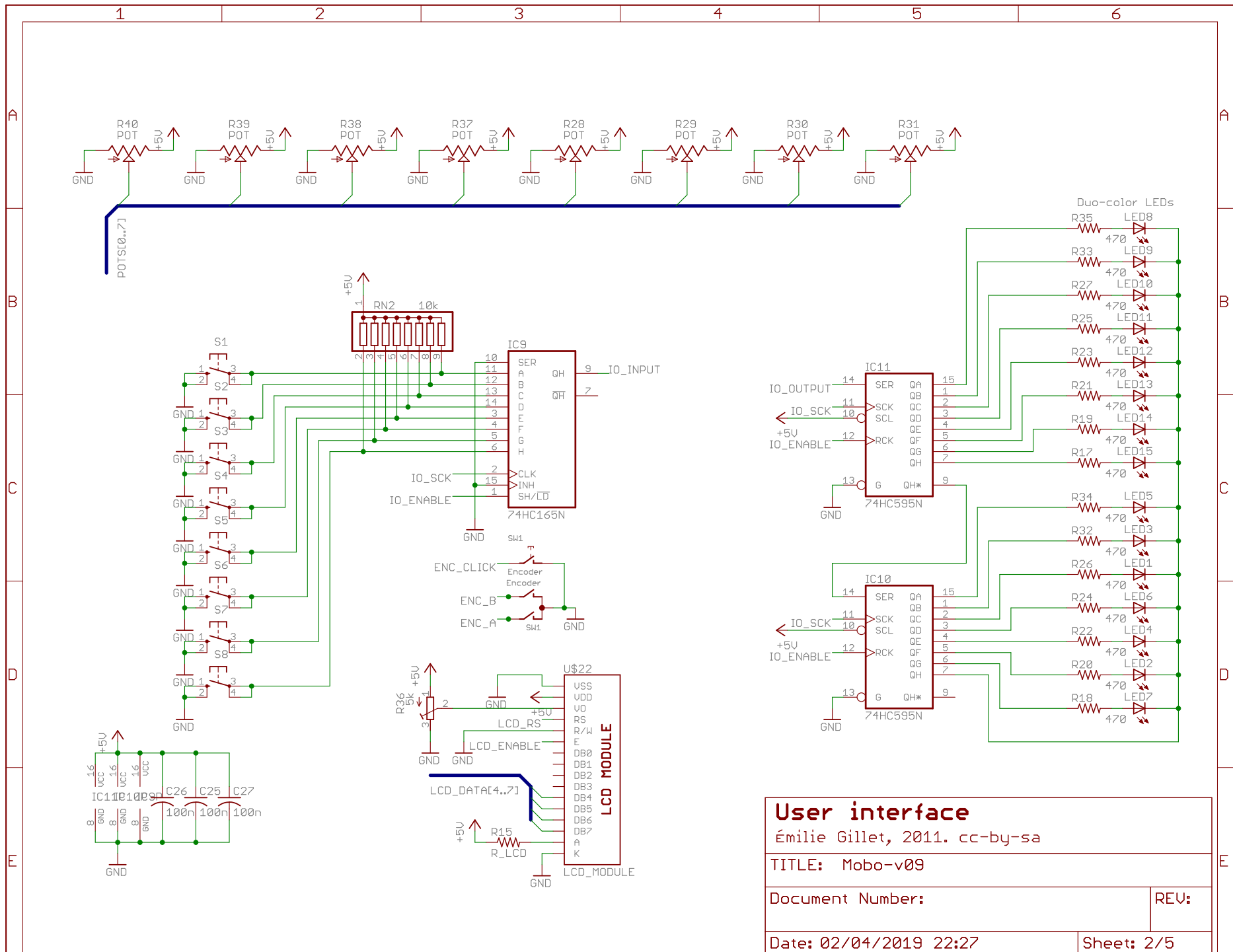


Main MCU / digital plumbing	
Émilie Gillet, 2011. cc-by-sa	
TITLE: Mobo-v09	
Document Number:	REV:
Date: 02/04/2019 22:27	Sheet: 1/5



User interface

Émilie Gillet, 2011. cc-by-sa

TITLE: Mobo-v09

Document Number:

REV:

Date: 02/04/2019 22:27

Sheet: 2/5

1 2 3 4 5 6

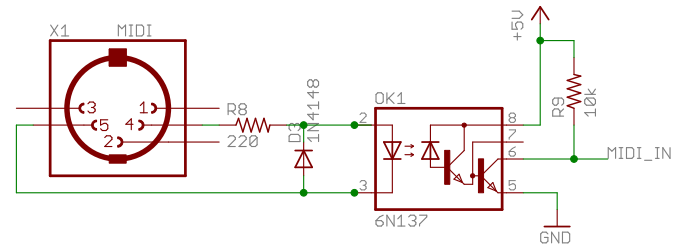
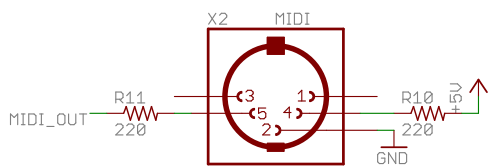
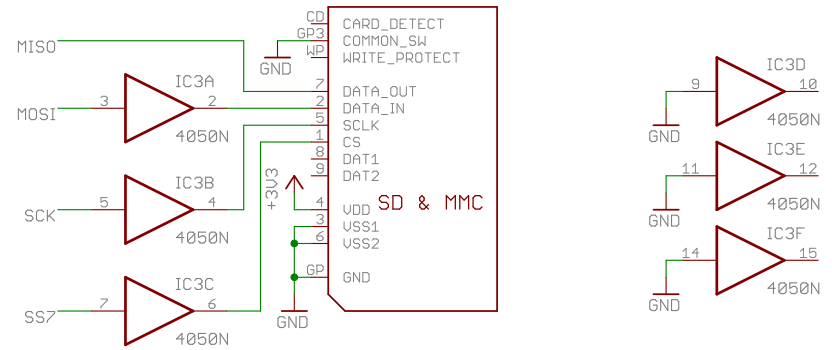
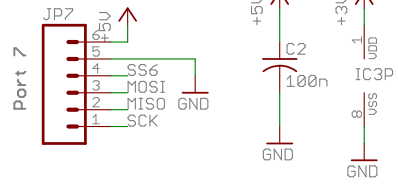
A A

B B

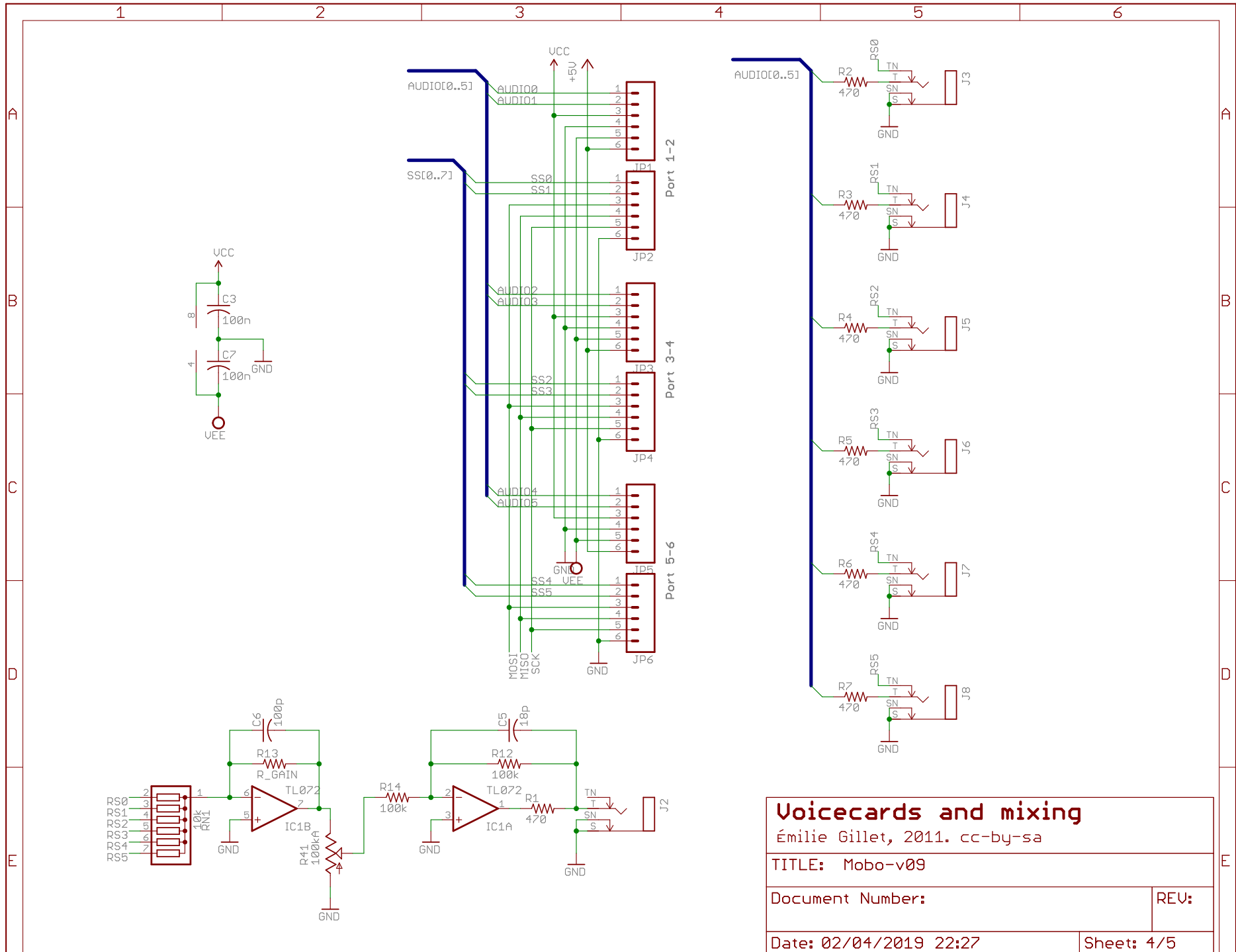
C C

D D

E E



Peripherals	
Émilie Gillet, 2011. cc-by-sa	
TITLE: Mobo-v09	
Document Number:	REV:
Date: 02/04/2019 22:27	Sheet: 3/5



Voicecards and mixing

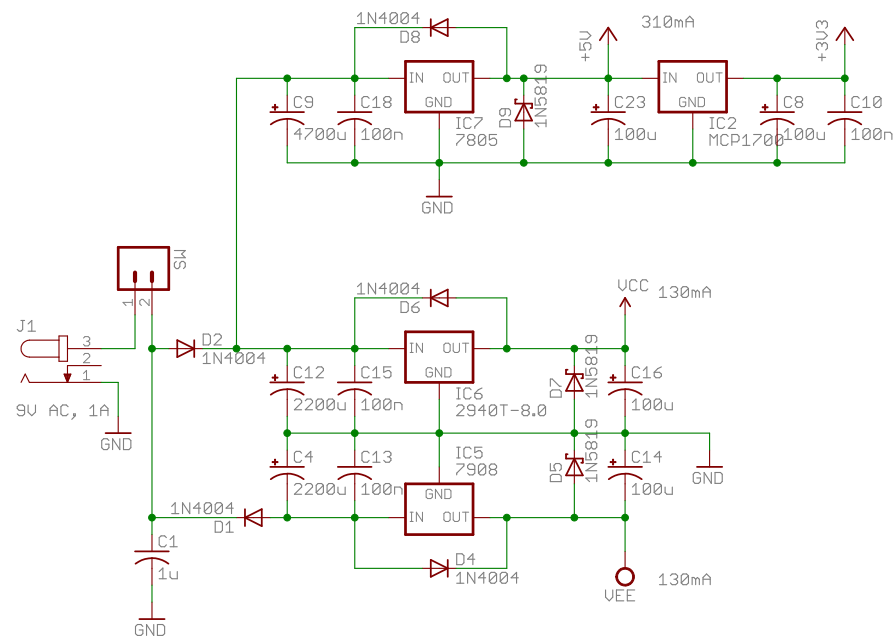
Émilie Gillet, 2011. cc-by-sa

TITLE: Mobo-v09

Document Number: _____ REV: _____

Date: 02/04/2019 22:27

Sheet: 4/5



Power supply	
Émilie Gillet, 2011. cc-by-sa	
TITLE: Mobo-v09	
Document Number:	REV:
Date: 02/04/2019 22:27	Sheet: 5/5